

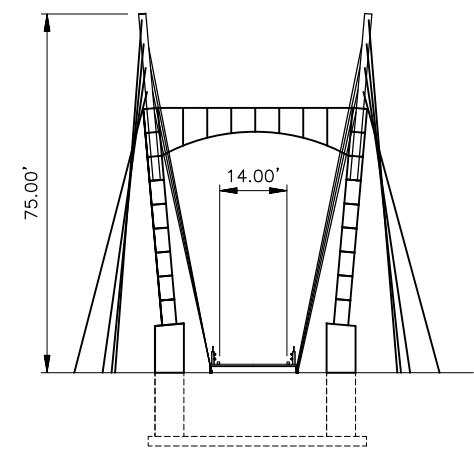
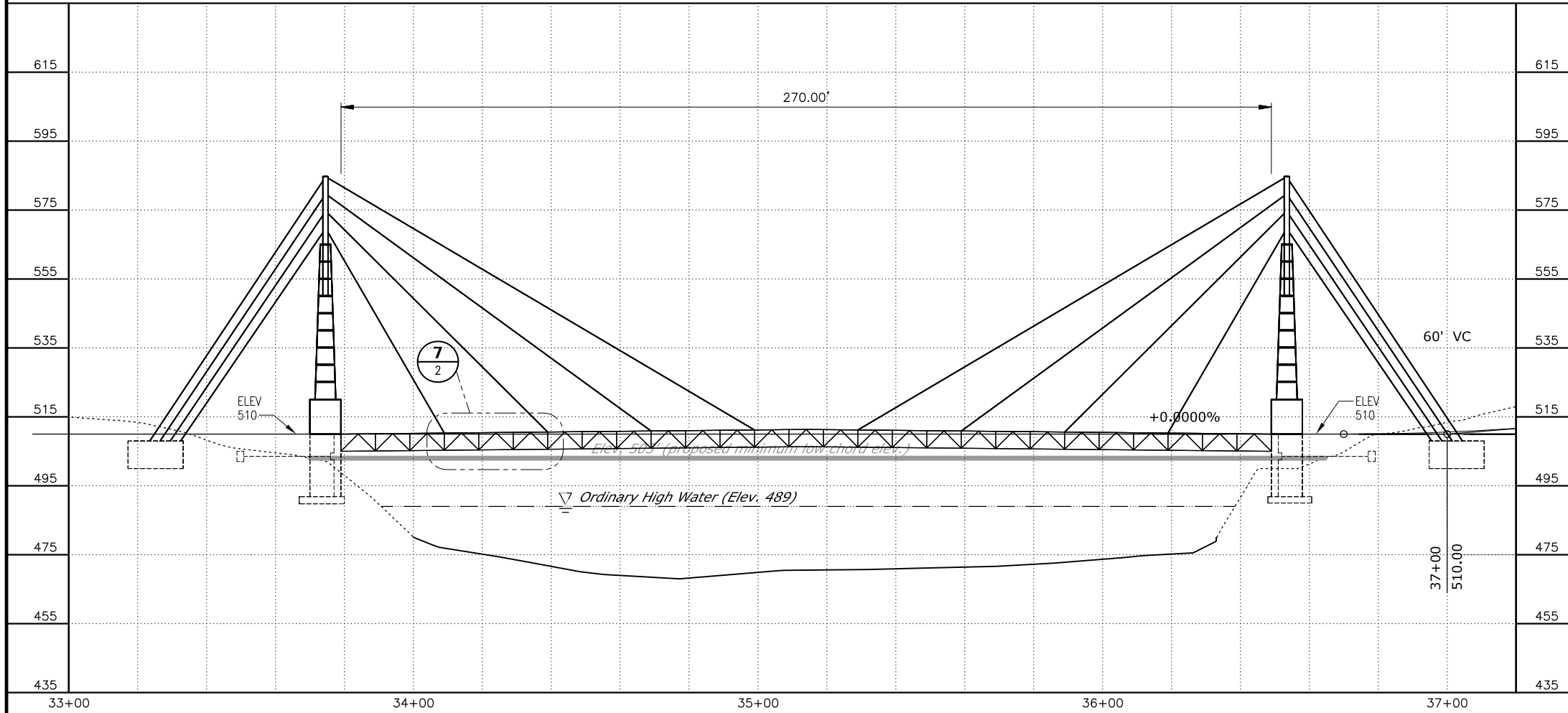
NOTES:

1. STRUCTURAL STEEL WIDE FLANGE SHAPES SHALL MEET THE REQUIREMENTS OF AASHTO M270 GRADE 50W (ASTM A709 GRADE 50W) WITH ENHANCED ATMOSPHERE RESISTANCE (INDEX OF 6.0 OR HIGHER). SHAPES MUST ALSO MEET FRACTURE CRITICAL ZONE 3 REQUIREMENTS AS SPECIFIED IN THE AASHTO SPECIFICATIONS (25 ft-lbs @ 10°F FOR PLATES LESS THAN 2" THICK).
2. TUBES IN THE PYLON SHALL MEET THE REQUIREMENTS OF ASTM A500, GRADE B, OR A501, WITH ENHANCED ATMOSPHERIC RESISTANCE.
3. ALL STEEL IN THE PYLON SHALL BE PRIMED AND PAINTED.
4. CABLES SHALL MEET THE REQUIREMENTS OF ASTM A586.

CONSULTANT :



PROJECT :
CHULITNA RIVER BRIDGE
MILE 131.5 PARKS HIGHWAY, ALASKA



CONCEPT DRAWING

SHEET TITLE :
PLAN AND PROFILE

DESIGN	J.J.L.
DRAWN	D.J.M.
CHECKED	-
DATE	APRIL 16, 2007

PROJECT No.
F07017
SHEET NUMBER

1
OF 3 SHEETS